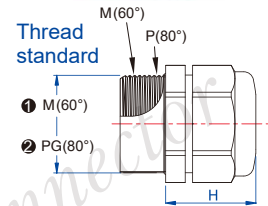




## Types & Dimensions of Accessories

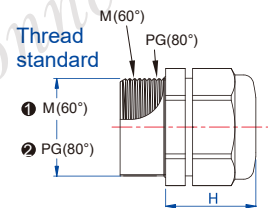
### Cable Gland Outlet (Copper With Nickel Plate)

Metric Code No.	PG Code No.	O.D. of Cable $\phi$ (mm)	Hmm	Wrench Spec mm
AM20	AG11	5~10	21	20
	AG13.5	6~12	22	22
	AG16	10~14	23	24
AM25	AG21	13~18	25	30
AM32	AG29	18~25	29	40
AM40	AG36	22~32	35	50



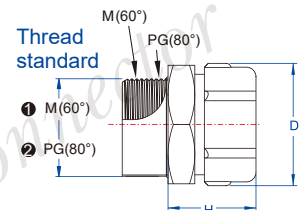
### Cable Gland Outlet (Nylon)

Metric Code No.	PG Code No.	O.D. of Cable $\phi$ (mm)	Hmm	Wrench Spec mm
VM20	VG11	5~10	21	20
	VG13.5	6~12	22	22
	VG16	10~14	23	24
VM25	VG21	13~18	25	30
VM32	VG29	18~25	29	40
VM40	VG36	22~32	35	50



### Metal Hose Outlet (Zinc Alloy With Nickel Plate)

Metric Code No.	PG Code No.	I.D. of Cable $\phi$ (mm)	Hmm	Dmm	Wrench Spec mm
WM20	WG11	10	22	26.6	22
	WG13.5	12	22	30	24
	WG16	15	22	33.6	30
WM25	WG21	20	24	40	36
WM32	WG29	25	30	51.5	46
WM40	WG36	32	35	63	55



## Types & Dimensions of Accessories

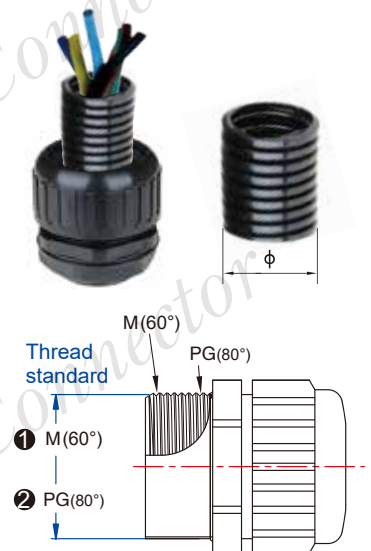
### Bend-resistant Cable Glands (Nylon)

Metric Code No.	PG Code No.	O.D. of Cable $\phi$ (mm)	Hmm	Wrench Spec mm
TM20	TG11	5-10	78	22
	TG13.5	6~12	90	24
	TG16	10~14	100	27
TM25	TG21	13~18	114	33



### Plastic Hose Outlet (Nylon)

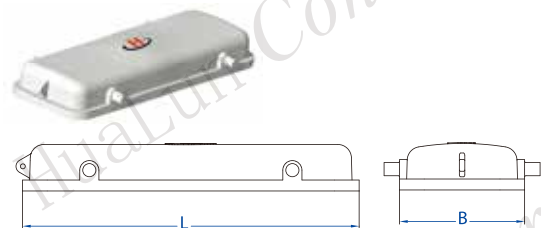
Metric Code No.	PG Code No.	I.D. of Cable $\phi$ (mm)
NM11	NG11	$\phi$ 15.8
NM13.5	NG13.5	$\phi$ 21.2
NM20	NG16	-15 $\phi$ 15.8
		-18 $\phi$ 18.5
		-21 $\phi$ 21.2
NM25	NG21	-21 $\phi$ 21.2
		-28 $\phi$ 28.5
NM32	NG29	$\phi$ 33.9
NM40	NG36	$\phi$ 42



**NOTE:** The value in Order No. is the corresponding Metric or PG value. E.g. the thread vale of AM20 is M20 and AG13.5 is PG13.5.

### Dust Cap of Receptacle (Nylon)

Code No.	Shell P/N	L mm	B mm
CR10	E10, DD42	76	45.7
CR16	E16, K4/0, K4/2, B6, D40, DD72	96.5	45.7
CR24	E24, K4/8, D64, DD108	123	45.7



### Dust Cap of plug (Nylon)

Code No.	Shell P/N	L mm	B mm
CP10	E10, DD42	76	45.7
CP16	E16, K4/0, K4/2, B6, D40, DD72	96.5	45.7
CP24	E24, K4/8, D64, DD108	123	45.7

