



Introduction

W series is a kind of anti-water splash, dustproof receptacle. The aluminum alloy cover can be opened when in use and closed when not in use.

It is mainly used for auxiliary power supply, oil pump power supply and maintenance power supply of injection molding machine, die-casting machine and textile machinery.

It has been used as a supporting electrical appliance by many well-known injection molding machinery and textile machinery manufacturing enterprises in China.

The specifications are 2 holes+3 holes, 2 holes+4 holes and other types according to customer's request.



Main Technical Characteristics

Rated Current: 10A、16A

Withstand Voltage: 500V

Rated Voltage: 250V、380V

Insulation Resistance: $\geq 2000\text{M}\Omega$

Ambient Temperature: $-20\sim 40^{\circ}\text{C}$

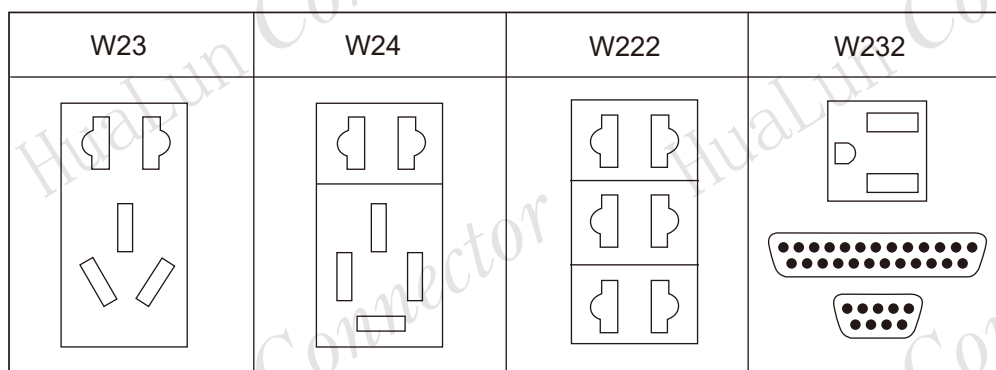
Protection Class: IP55



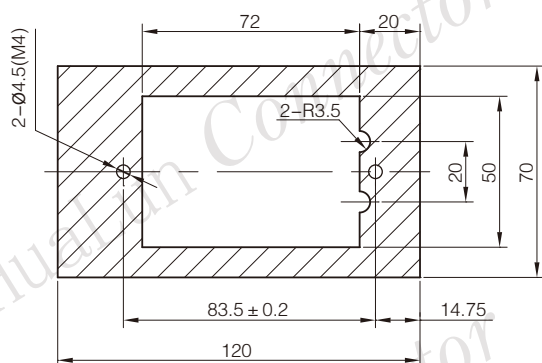
Model Flag Code



Model Series



Installation dimensions



SHANGHAI HUALUN INSTRUMENTS & ELECTRONICS CO., LTD.

SALES & MARKETING DEPARTMENT

ADD: Rm3409, Tower2, Kerry Everbright City, West Tianmu Rd218, Shanghai

TEL: 86-21-63178300 63178586 63177566 FAX: 86-21-63178083

E-MAIL: sales@hualun.sh.cn, sales@hualunconnector.com P.C.: 200070